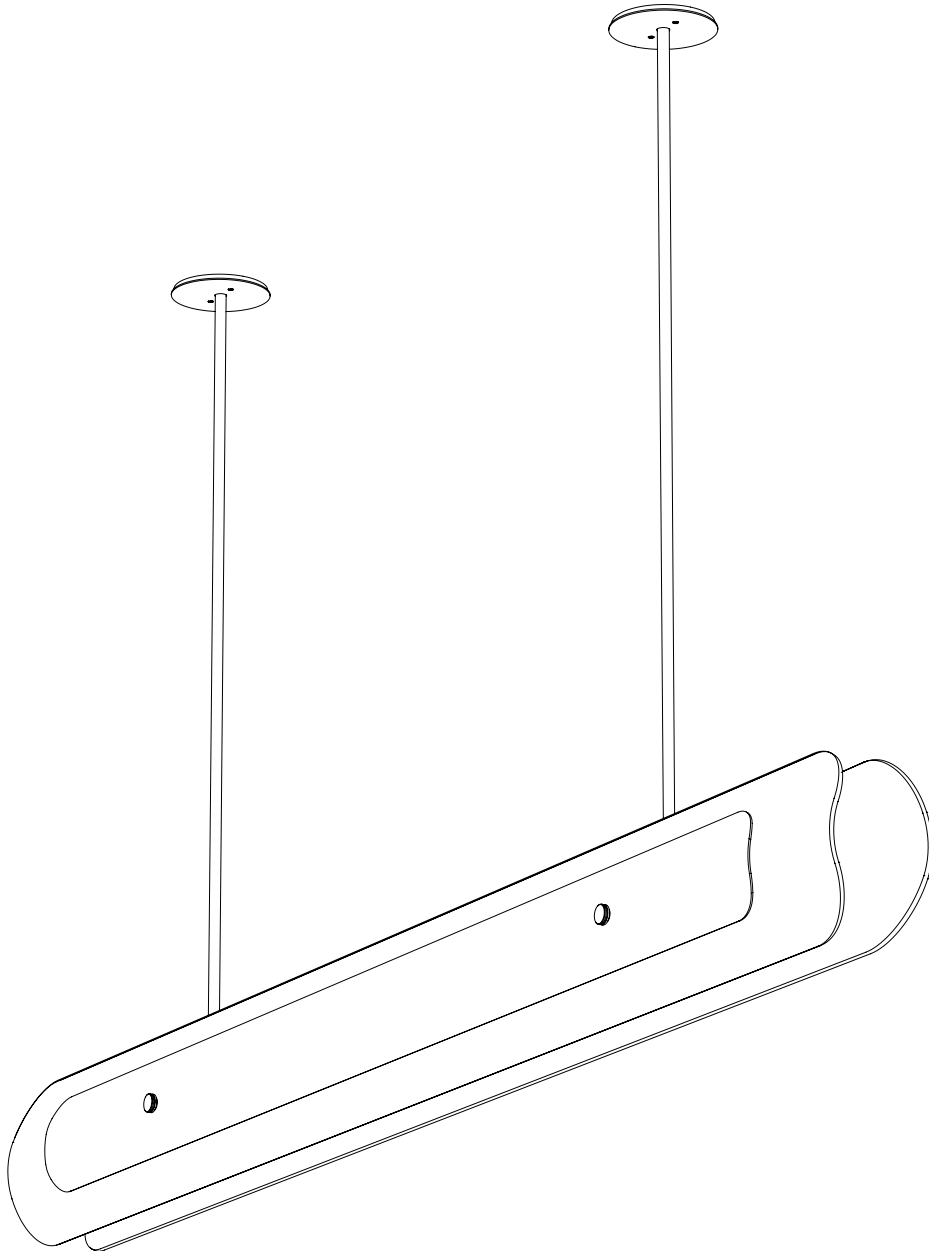


CONTOUR PENDANT

Installation Guide



!

Please handle with care and wear gloves at all times during Assembly and installation to avoid damaging components.

TECHNICAL

Illumination
Integrated LED
Dimmable

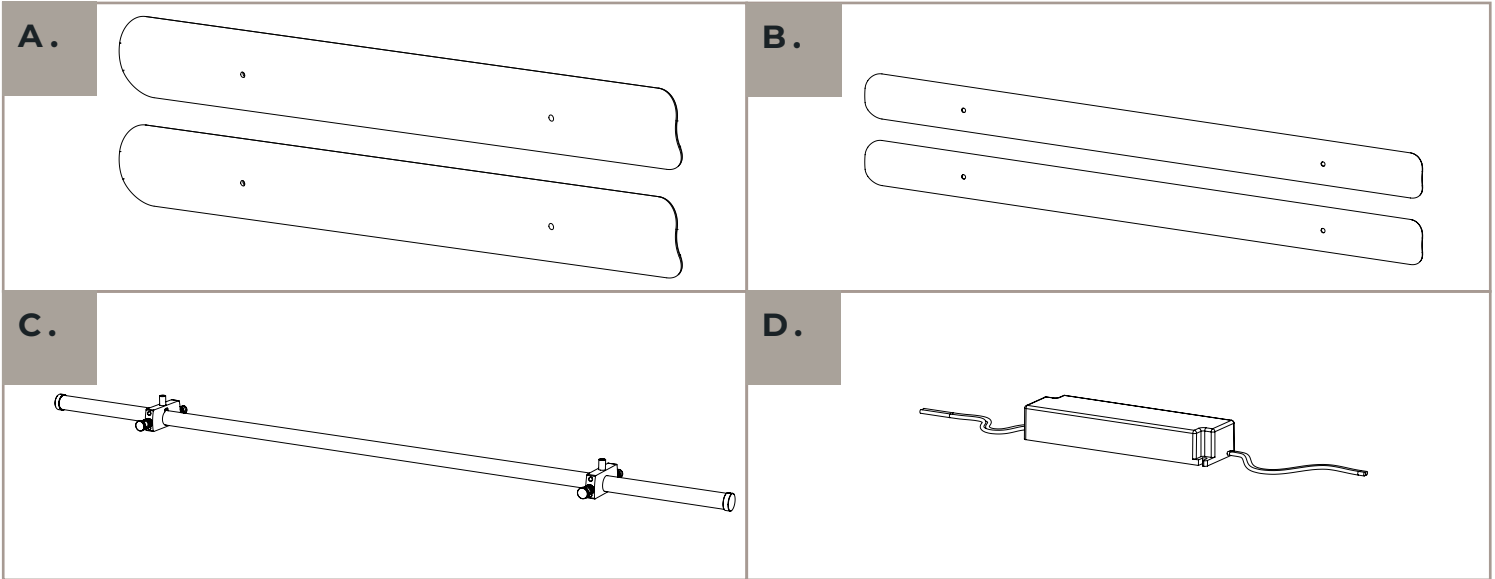
Wattage
58w (2700k)

Weight
30kg
(66.1lbs)

PARTS & COMPONENTS

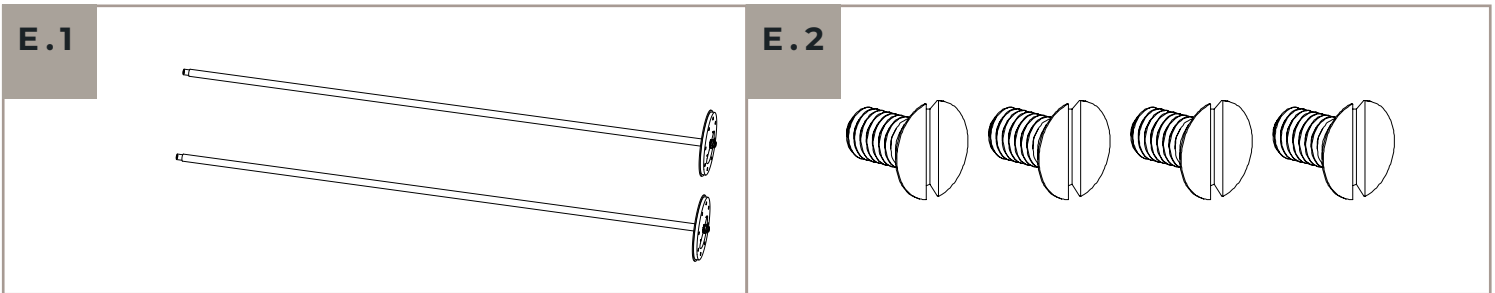
A - 2x Contour Glass
B - 2x Contour Shield

C - Contour Body
D - Driver



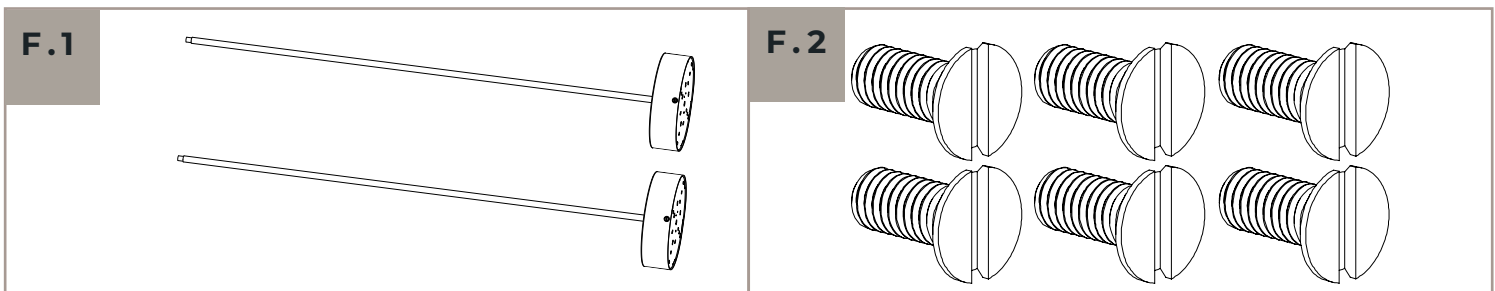
FLUSH MOUNTED Components

E.1 - Flush Drop Rod Assembly
E.2 - 4x M3 x 6mm



DEEP ROSE Components

F.1 - Rose Drop Rod Assembly
F.2 - 6x M4 x 8mm

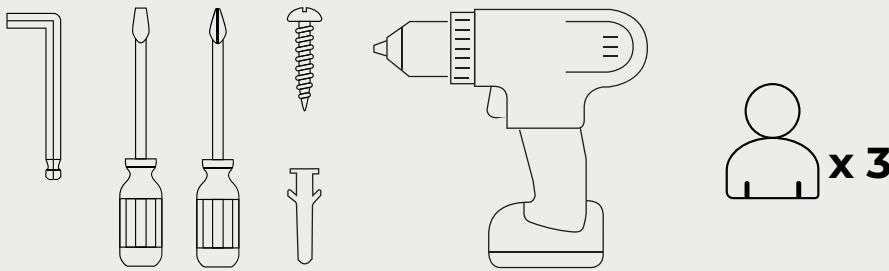


- All nuts and bolts required for assembling the light are included.



BEFORE INSTALLATION

- Check that you have all components before starting the installation.
 - Installation must be carried out by a qualified electrician.
 - A minimum of two people is required to install a pendant light.
- Check that the ceiling or wall fixings are suitable and strong enough to support the weight of the light fixture.
 - You will need these specific tools for a successful installation.



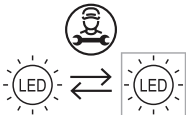
IP20

The Contour Pendant light is designed for use in dry indoor locations only. This product is unsuitable for wet and damp locations.

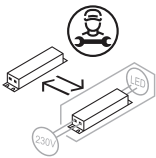


If the provided cable of this luminaire is damaged, it shall be exclusively replaced by the manufacturer or their service agent or a similar qualified person in order to avoid a hazard.

This product is considered to be a “containing product” in the sense of Regulations (EU) 2019/2020 and (EU) 2019/2015.



The LED light source contained in this luminaire shall only be replaced by the manufacturer or his service agent or a similar qualified person, must be of equal or higher energy rating. Full electrical, mechanical, thermal and optical functionality must be restored.



Control gear contained in this luminaire shall only be replaced by the manufacturer or his service agent or a similar qualified person.

ENERGY

This product contains a LED light source of energy efficiency class F <https://eprel.ec.europa.eu/screen/product/light-sources/2110650>

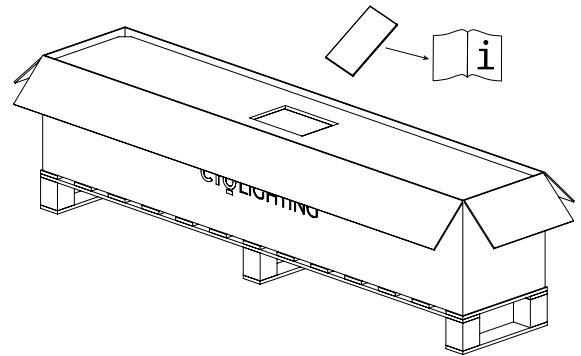


Used electrical and electronic products should not be mixed with general household waste. For proper treatment, recovery and recycling, please take this product(s) to designated collection points where it will be accepted free of charge.

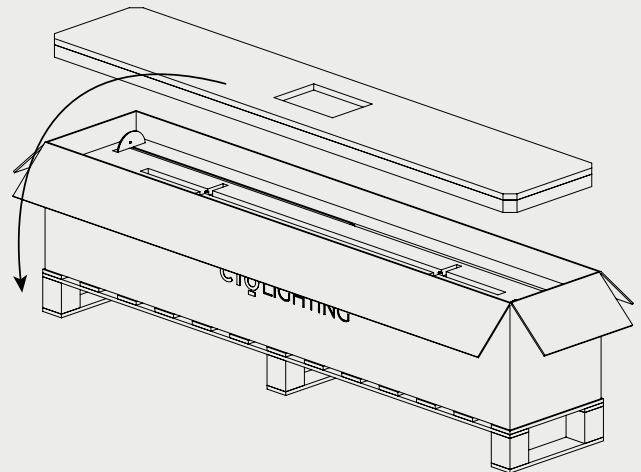
CTO Lighting is a member of the WEEE producer compliance scheme. Registration number: WEE/AG0005ZR

REMOVAL FROM PACKAGING

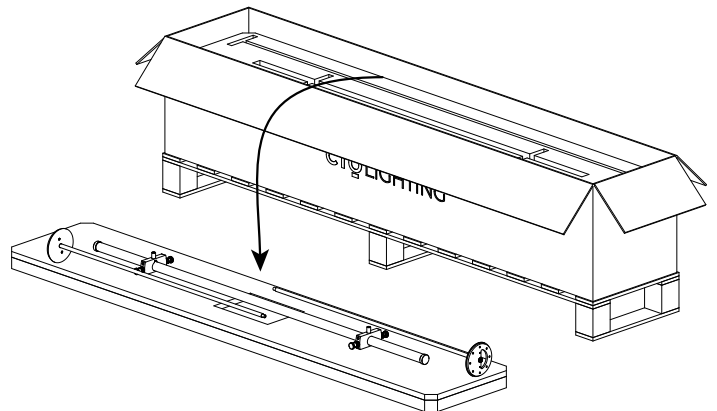
1. Retrieve instructions and read carefully.



2. Remove top form and place on the floor

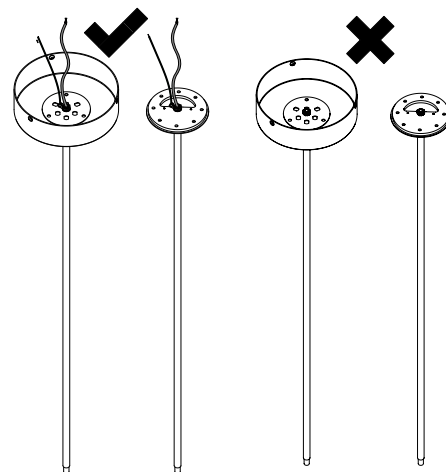
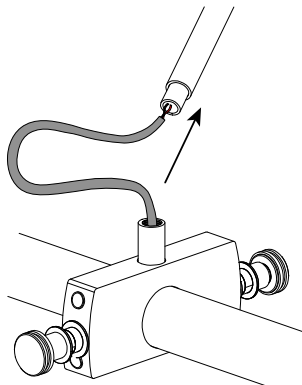


3. Remove the body and drop rods (Deep Rose is in a separate package) and place on the form.

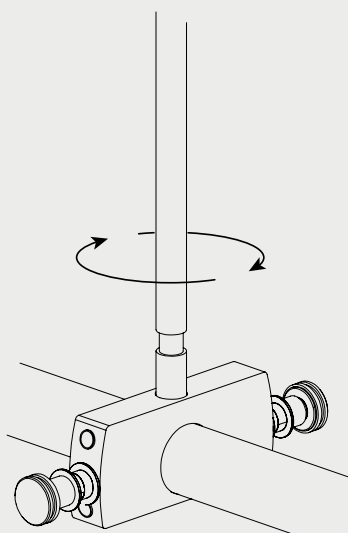


ASSEMBLY

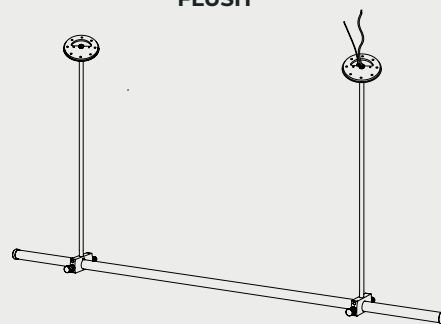
1. Feed the grey cable through the drop rod what has the earth attached.



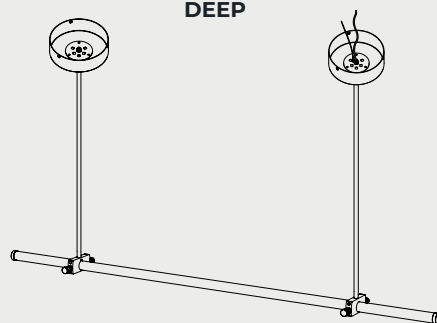
2. Tighten the 2 drop rods onto the CONTOUR body.



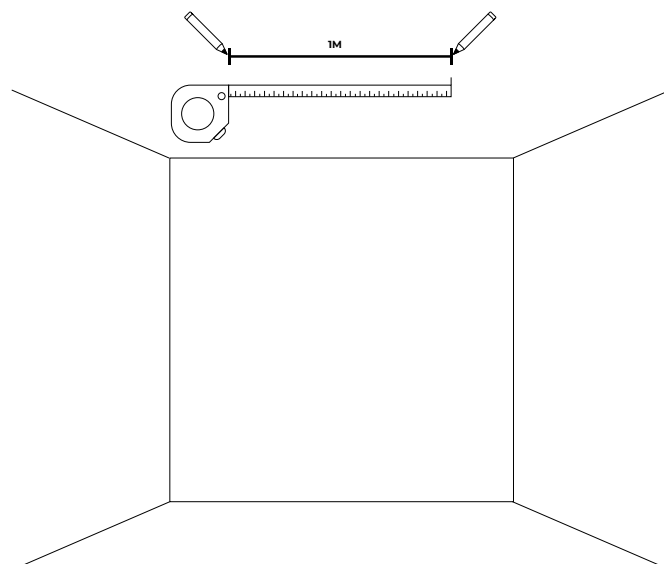
FLUSH



DEEP

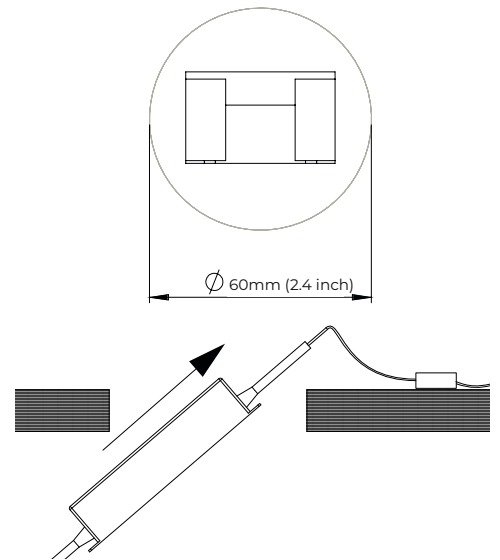
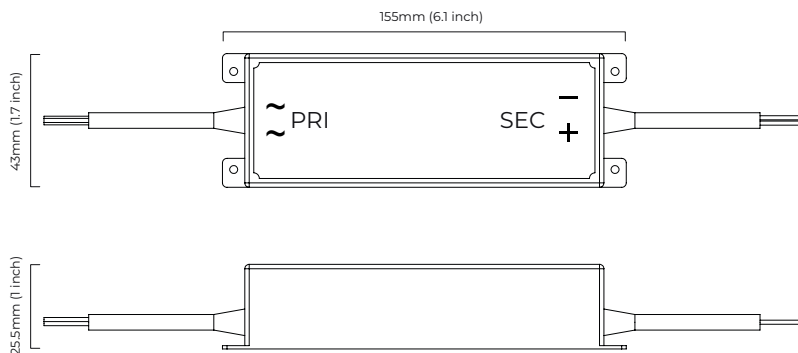


3. Mark 2 points 1M apart in the desired hanging location.

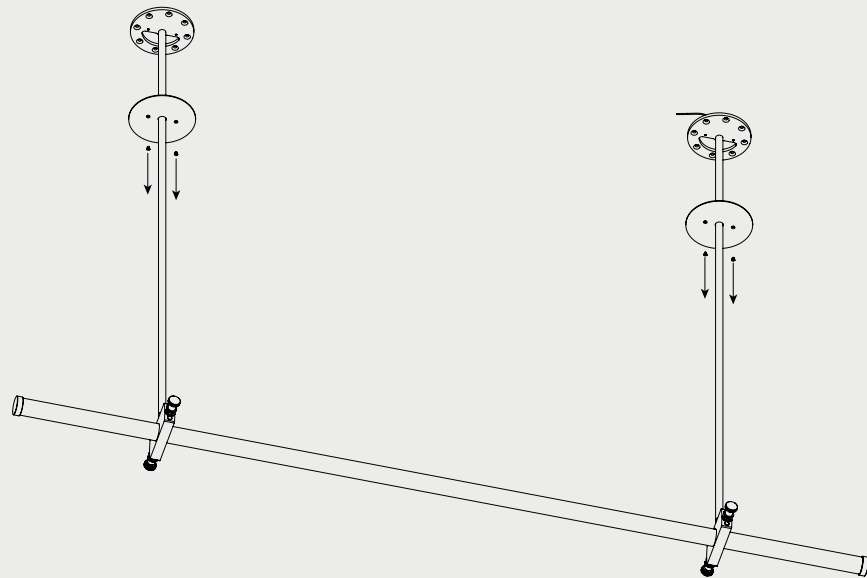


FLUSH MOUNTED

- 4.1** Cut hole for the installation of the driver, in location of the template, connect LED driver, make sure the power is disconnected.

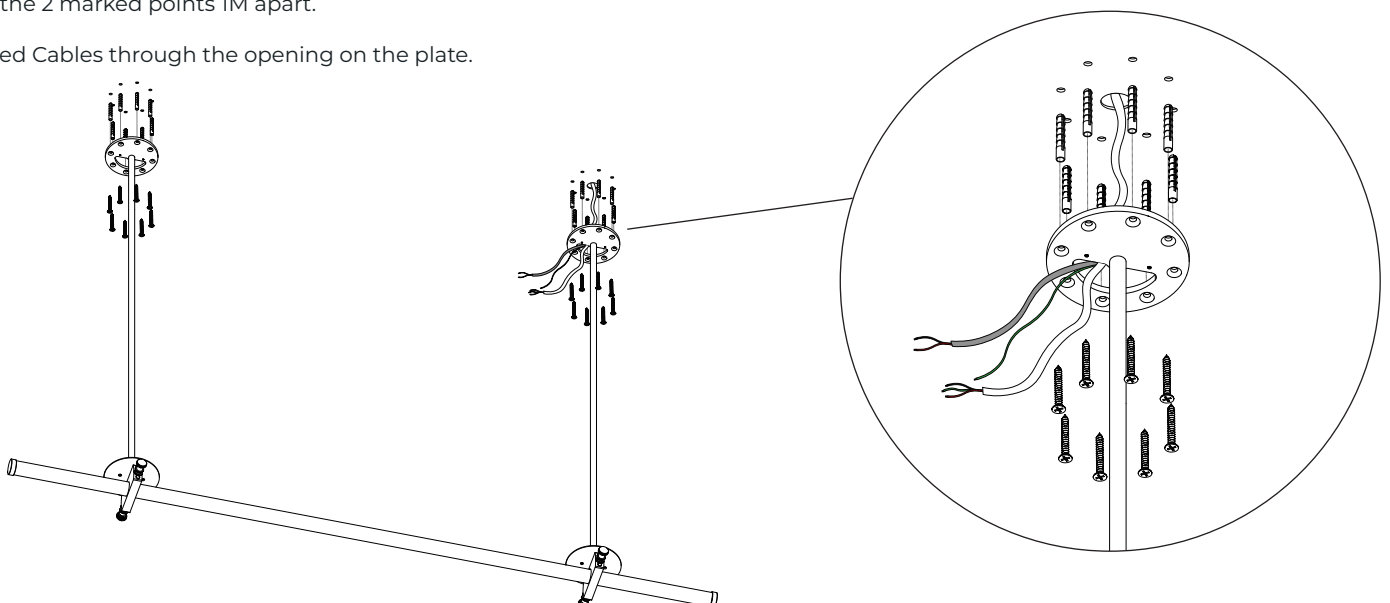


- 4.2** Loosen the 4 M3 screws and carefully lower the plates.

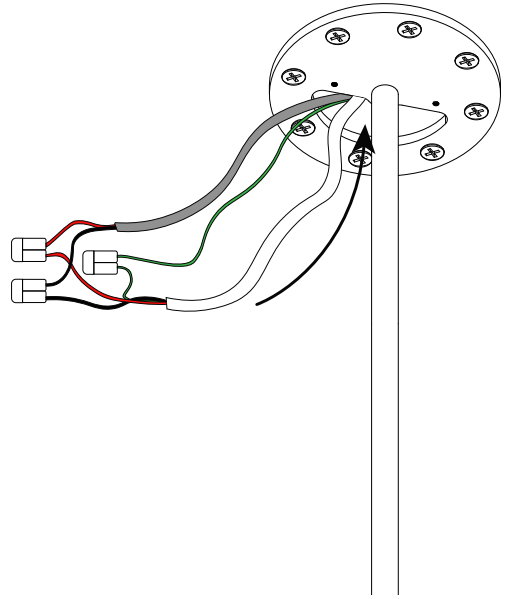


- 4.3** Raise the pendant and fix the 2 flat plates onto the ceiling at the 2 marked points 1M apart.

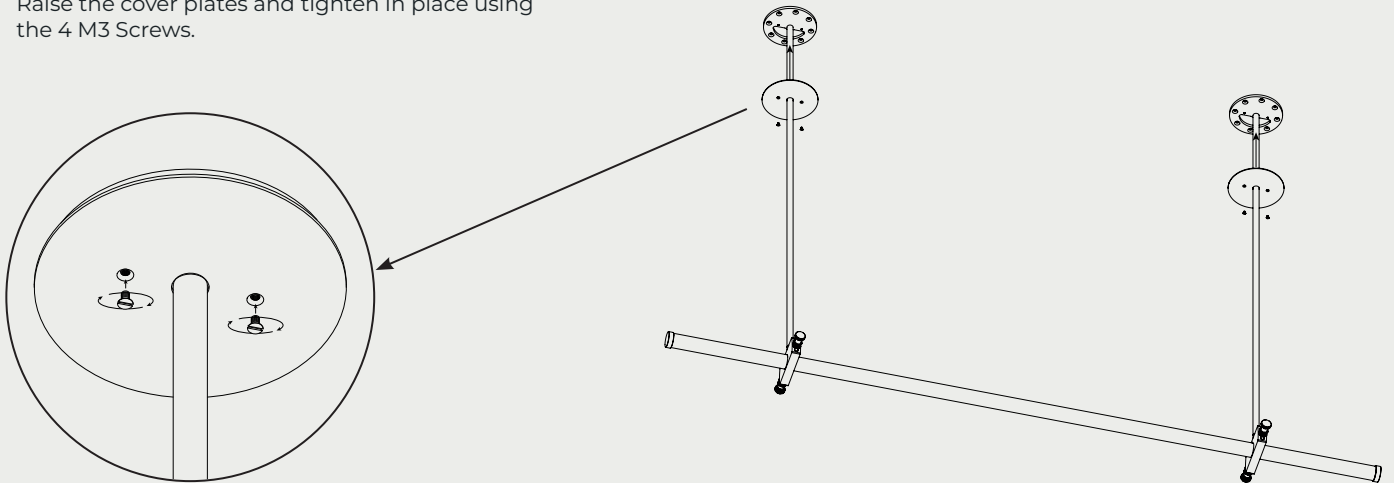
Feed Cables through the opening on the plate.



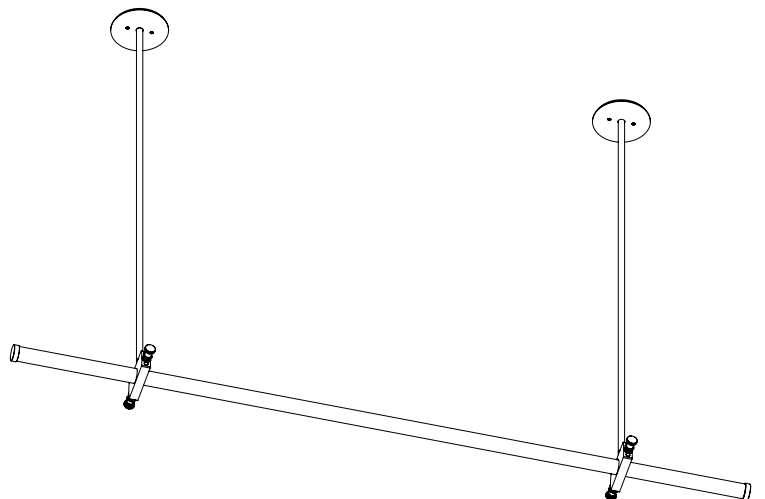
- 4.4 Make electrical connections and feed the cables back through the hole in the fixing plate and into the cavity.



- 4.5 Raise the cover plates and tighten in place using the 4 M3 Screws.

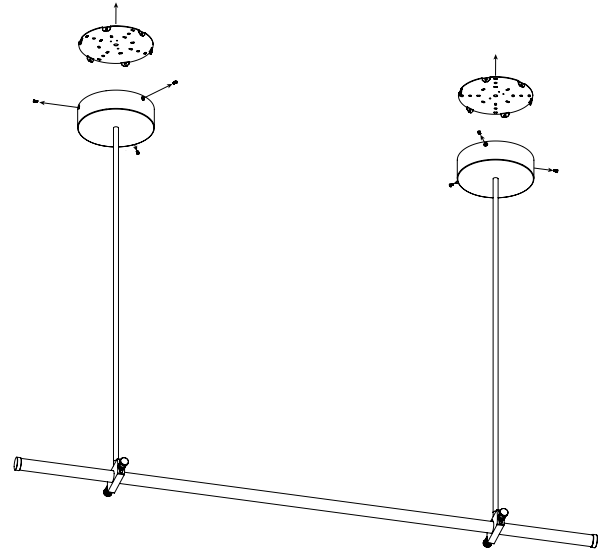


- 4.6 Test fitting.

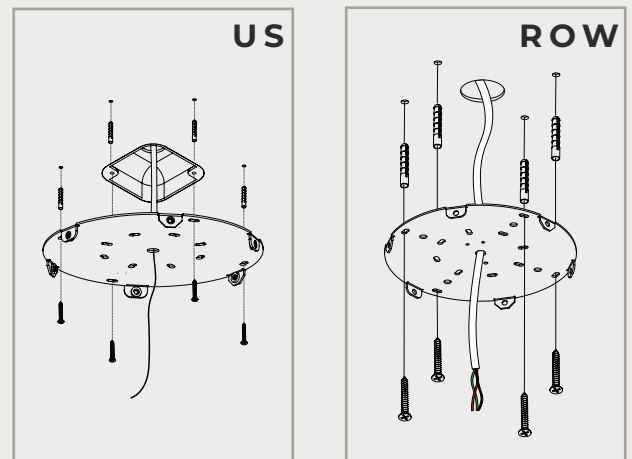
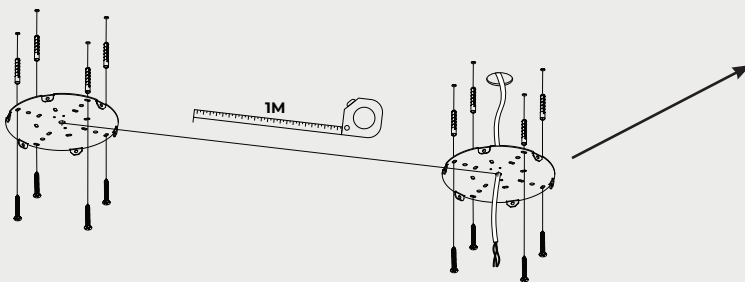


DEEP CEILING ROSE

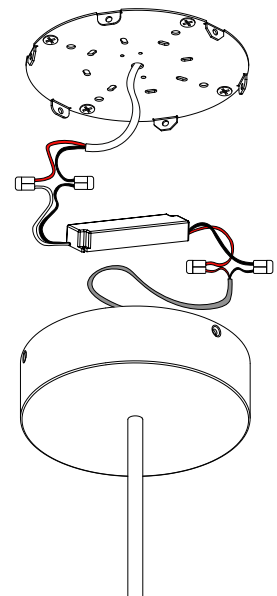
- 4.1** Remove the ceiling fixing plate from the rose by removing the 6 M4 screws.



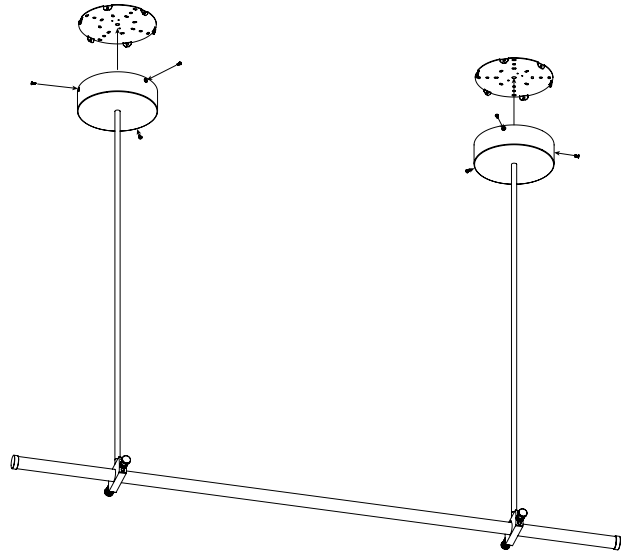
- 4.2** Fix the ceiling plates to the ceiling 1M apart.
For US fix one plate over the junction box.
Then feed power cable through the centre hole



- 4.3** Raise the pendant and make connections to the drive with the mains and the fitting.

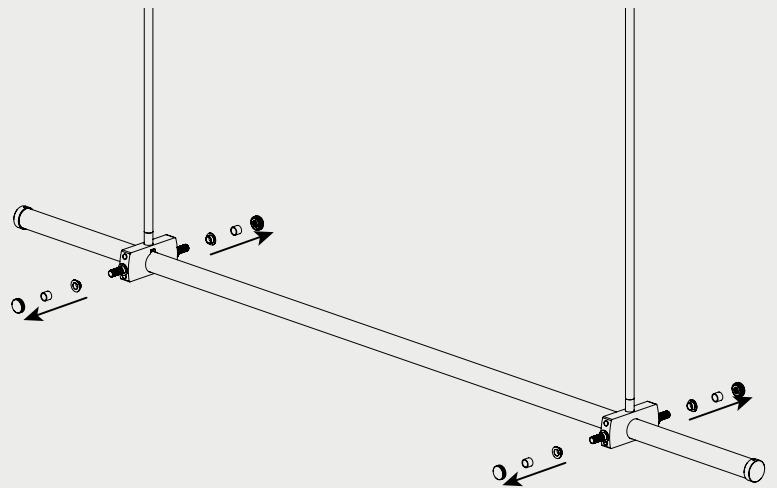


- 4.4 Raise the pendant and fix in place using the 6 M4 screws.

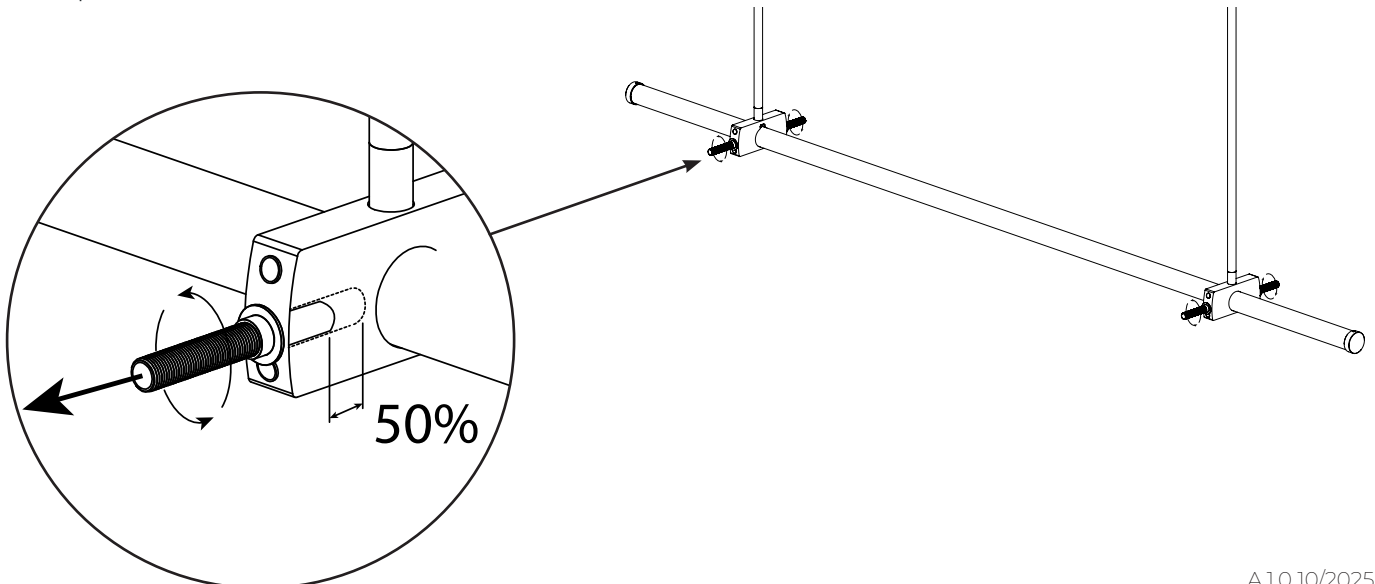


HANGING

5. Remove the Thumb Turn, Coupler and first washer from the thread.

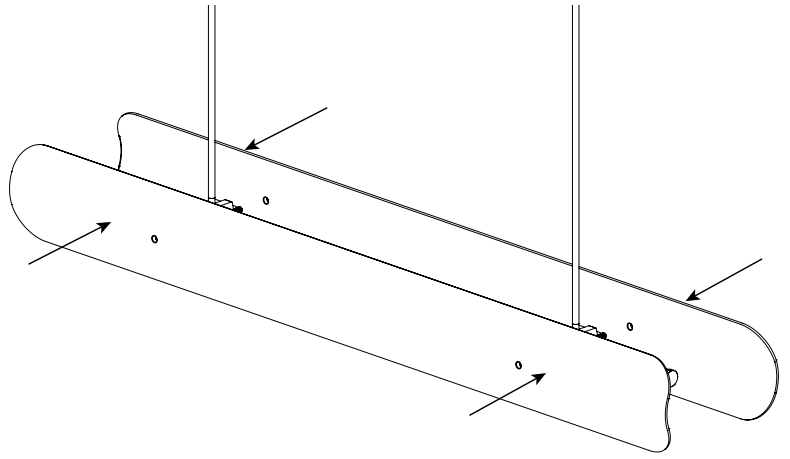
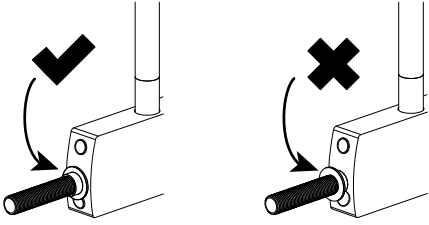


6. Loosen the threads on the 2 brass bodies 50% as pictured.

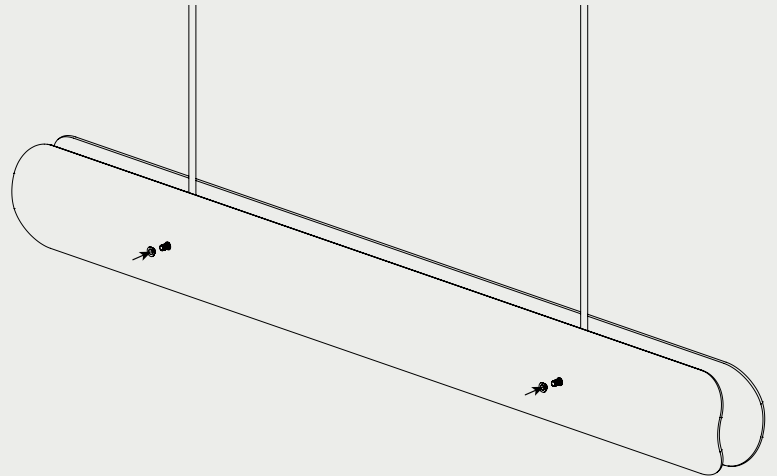
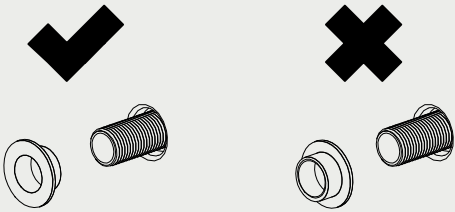


7. Check the washer is facing outwards and sitting towards the glass

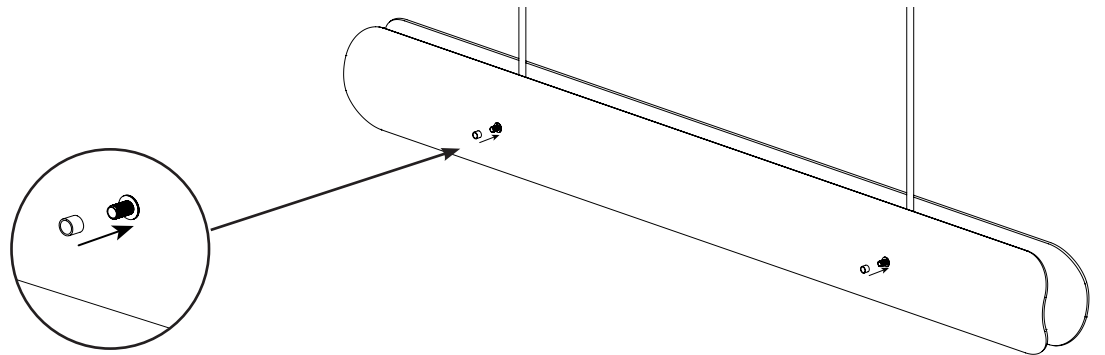
Then raise the glass and place onto the threads, then repeat on the other side.



8. Remove the Thumb Turn, Coupler and first washer from the thread.

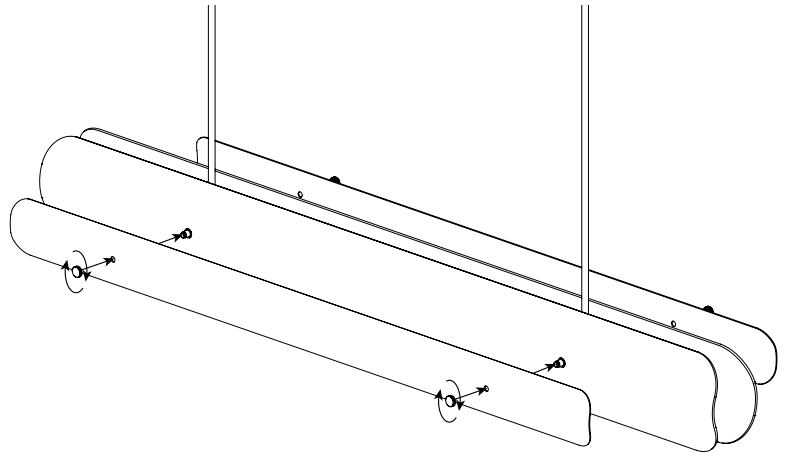


9. Place the 4 coupler onto each of the threads.

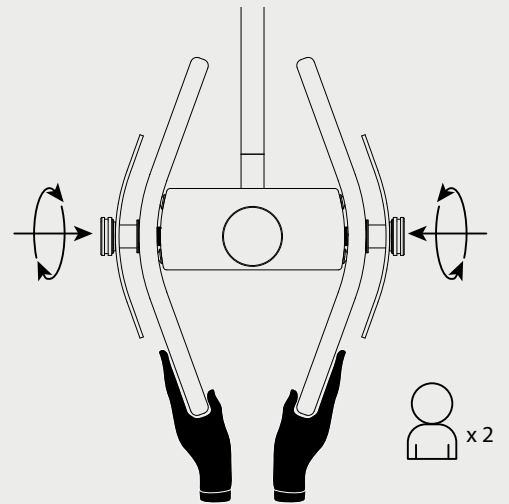
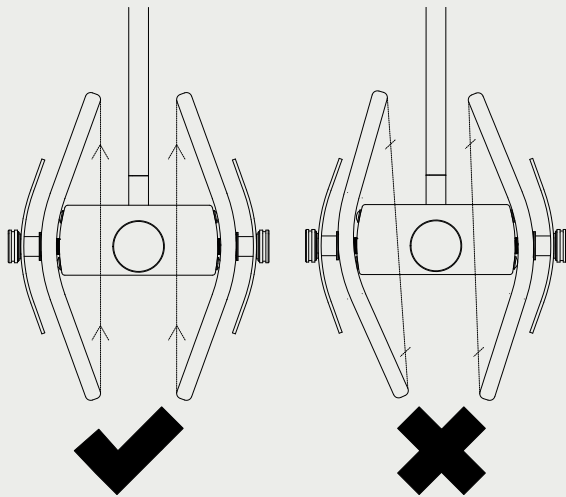


- 10.** Raise the Contour shields and place onto either side, hold in place screwing on the thumb turns.

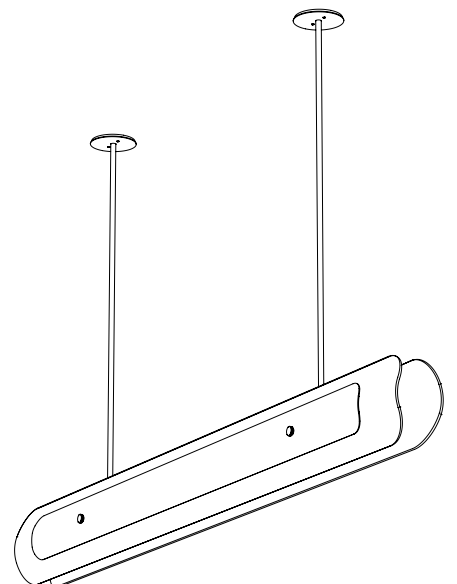
Do not fully tighten these yet.

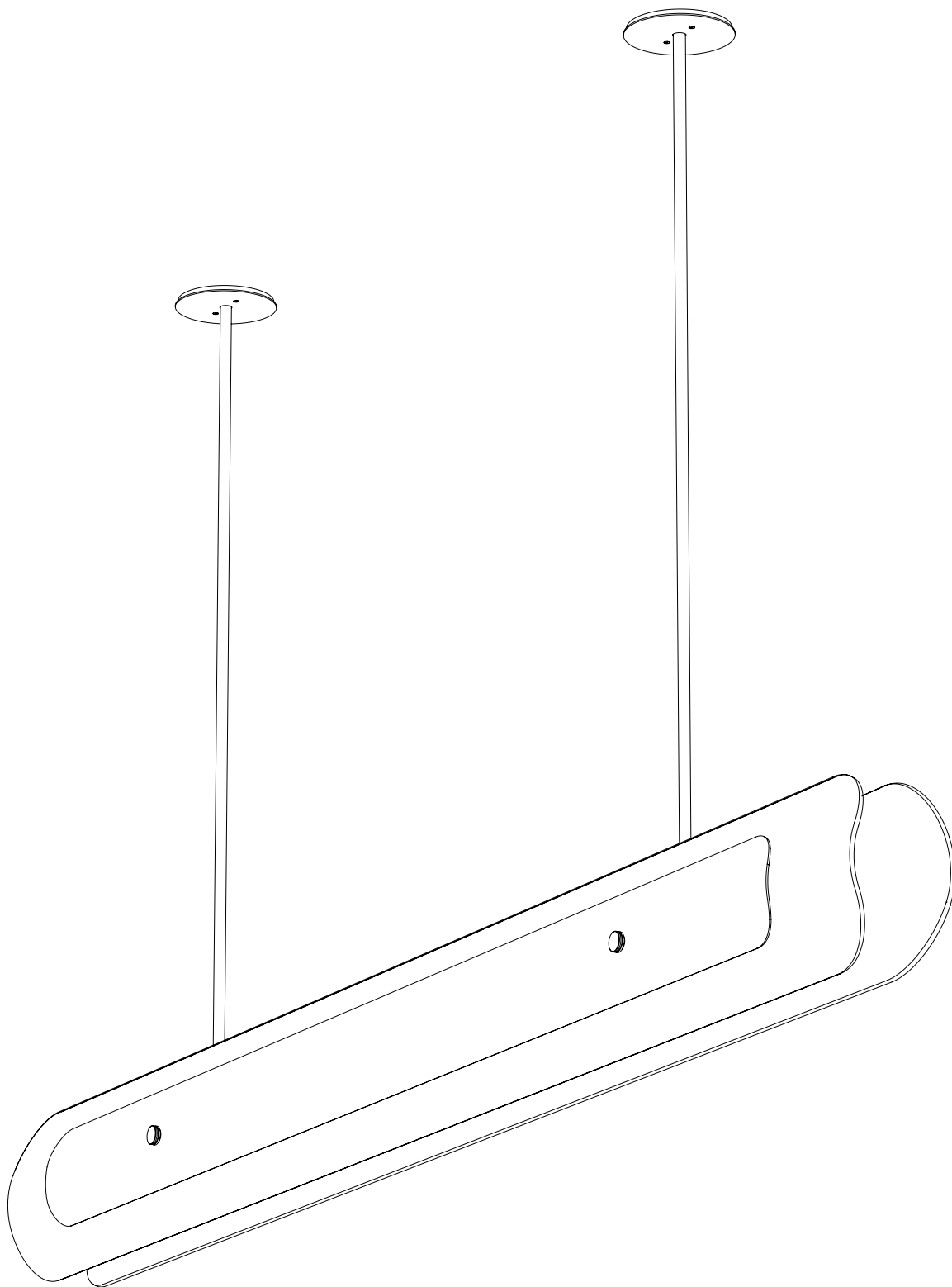


- 11.** Hold the glass parallel to each other and tighten the thumb turns fully.



- 12.** Test Fitting





MAINTENANCE

Cleaning

Use a soft dry cloth to clean. If any marks remain clean the area using a damp soft cloth and dry afterwards with a soft cloth

Repairs

Contact
CTO Lighting

Warranty

Please visit
www.ctolighting.co.uk/warranty for CTO warranty policy

Certification

CE UK CA IP20